

activeMEDICAL

Hoist & Slings Portfolio

Issue 2





Contents

01. Hoists	7
02. Ceiling Hoists	14
03. Accessories	21
04. Slings	25
05. Spare Parts	31

We are Here to Help

For over 30 years, Active Medical Supplies has delivered safe and innovative solutions for the care of clients in the Aged Care, Hospital, School and Home Care sectors. We strive to provide the highest quality equipment for all healthcare environments which will withstand the test of time.

We partner with experts in the field of design and manufacturing to provide the very best resources to ensure that your loved ones are provided with the correct equipment to receive optimum care.

We have a commitment to lower our carbon footprint and protect our environment. We utilise our own delivery vehicles and use sustainable materials for packaging to reduce environmental damage. We are also proud to provide beds and equipment with world leading, energy-saving electronics.

For your peace of mind our product is manufactured to very high quality and we have a secure supply chain. 90% of our products are sourced from Australia, Europe, USA, Canada, United Kingdom, Spain, India, Sweden, Vietnam and Taiwan.

Procurement & Distribution

Active Medical has developed a network of manufacturers in Australia and around the world – from Germany and Sweden to the United States of America and consults directly with industry professionals to ensure the products we provide responds to unique patient specifications.

The success of our business is supported by our ability to collaborate with manufacturers that not only provide the highest quality of products and services, but are aligned with our mission and commitment to our social,

corporate and environmental responsibilities.

Our efficient distribution systems are underpinned by our strong relationships with manufacturers and two centralised warehouses with a capacity to hold up to 50,000 items. This ensures the fast turn around and on time delivery demanded by the health care industry and the needs of people in care. We ensure that all our products are ethically sourced and supplied and meet environmental standards.



Did you know...



We sanitize **all products** that leave our warehouses



We offer full product **demonstrations and video trials**



We offer **contact free delivery**



Our staff are **double vaxxed** with boosters



Our showroom is a **controlled environment** that we can also offer trials

*Disclaimer

Active Medical Supplies does not take responsibility for incorrect application of products. This publication is a guide only to assist in selecting products suitable to your clients. Please use in conjunction with professional advice. Products and information listed in this catalogue are subject to change. Website and digital information supercedes all print. For the most up to date information, please contact us directly.

Introduction

Why was this contract put in place?

- Standardised product range that has clinically evaluated and risk assessed.
- Savings achieved through Standardised pricing.

How do I order these products?

- All products are to be uploaded to Baseware.
- Facility purchase order / approval is required.

What Equipment is featured?

- Passive Hoists
- Active Hoists
- Passive Ceiling Hoists
- Sling to Suit

How was this contract evaluated?

- Successful products were recommended by the Equipment Advisory Group following a Clinical Technical Evaluation of the equipment using a standard evaluation tool.
- A Risk Assessment was conducted by the Manual Handling Coordinator Workplace.
- Commercial evaluation ensured that products have TGA and adequate Warranty and Company Financial History.
- Recommendations were made by the Evaluation Committee and each was endorsed by the Blue Care Equipment Advisory Committee.

How to select the correct sling size?

1 Mobility Levels

Non - Weight - bearing transfer (the client DOES NOT have weight - bearing status and adequate upper body strength)

Weight - bearing transfer (the client has weight - bearing status and adequate upper body strength)

2 Body Size

- Spine Length
- Seat width
- Thigh size / circumference
- Weight

3 Posture / Condition

- Scoliosis
- Amputee
 - Arm/s
 - Leg/s
- Incontinent
- Hip Pain *
- Shoulder Pain *
- Back / Neck fusion *
- Panniculus *

6 Refer to size charts for each sling

- General Purpose Sling
- Universal Deluxe Sling
- General Purpose Sling with HP
- Universal Deluxe Sling with HP
- Pivot Sling
- Salsa StandingSling

5 Check which hoist/s your facility is using

4 Skin Integrity

- Mesh
- Fabric
- Parasilk *

If your resident has poor skin integrity, cognitive behavioural, or postural requirements consult an OT or physio.

* **Contact Active Medical Supplies**

Want to learn more about our custom slings?
Reach out to our team today!

We understand that each person is unique and needs a customised sling to suit their specific need. A custom sling can benefit both carer & individual reach their full potential in everyday life.

1800 267 267 | www.activemedicalsupplies.com.au | hello@activemedicalsupplies.com.au

What is a Hoist?

Hoists are designed to assist with the manual handling of residents & patients. They're here to help reduce the risk of injury to carers, nurses and doctors. They are also portable and easy to move which allows for the safe movement of patients from one place to another. They are commonly used for shorter transfers such as bed to chair.

Pick your Hoist!



Choose Model

	Staebel Forte 320		Staebel Salsa 200
	Staebel Alto 200		Staebel Neos 150
	Staebel Sonata 150		



Choose attachment style

	Four Point Yoke		Standard Yoke		Tri Hook Yoke
	Powered Pivot Frame		Standard Yoke with Weigh Scale		Bariatric 4 Point Yoke
	Pivot Frame with Weigh Scales		Powered Pivot Frame with Weigh Scales		Bariatric 4 Point Yoke with Weigh Scales



Accessories

	Plastic Leg Protector		Sling Bag
	Staebel Salsa Handle Kit		Quick Release Adaptor
	Low Leg Height		Weighing Device
	Battery Replacement		Handset Replacement

Pick your Sling!



Choose your material

		Mesh
		Fabric
		Parasilk



Choose Sling style

Depending on the model of hoist, choose the appropriate sling style. **Contact the team for more information on choosing the right sling!**



Could not find the information you were after?

Contact our team for a consultation for more hoist options!

01.

Hoists

Staebel Alto Patient Hoist	9
Staebel Forte Patient Hoist	10
Staebel Alto MKII 200 with Powered Pivot Frame	11
Staebel Sonata Patient Hoist	12
Staebel Salsa 200 Standing Lifter	13
Staebel Neos 150 Folding Hoist	14



Staebel Alto MKII 200 Lifter

Alto Lift 200: A medium sized heavy duty mobile patient lifting hoist with a safe working load of 200kg and a compact ergonomic design. The Alto Lift 200, whilst being compact, provides superior patient lift space through the use of SPACE LINK™ technology.

The Alto Lift 200 is the lifter of choice for institutional use or home care where a high capacity lift is required. Designed and tested to comply with: AS ISO 10535-2002 Hoists for transfer of disabled persons - Requirements and test methods.

Refer to page 21 for accessories



Specifications:

Product Code	2891	Maximum Height Yoke	1920 mm
Base Length	1150 mm	Average Lift Range	1620 mm
External Base Width Closed	700 mm	Minimum Storage Height	1350 mm
External Base Width Open	1130 mm	Under Bed Height	55 mm
Internal Base Width Closed	600 mm	Hoist Reach	610 - 1060 mm
Internal Base Width Open	1030 mm	Hoist Reach at Maximum Height	515 mm
Base Width Adjustment	Electric	Mass of Heaviest Part (Base Assembly)	24 kg
Underbed Clearance	130 mm	Lifter Weight	46 kg
Minimum Height Yoke	300 mm	SWL	200 kg



Staebel Forte Patient Hoist

With a safe working load of 320kg this extremely heavy duty mobile patient lifting hoist provides full bariatric capability whilst remaining a compact and ergonomic design. Manoeuvrability and exceptional under bed clearance are key design features.

FORTE 320 provides superior patient lift space through the combination of the recessed actuator and the use of SPACE LINK™ technology. The aesthetic design of the concealed electric leg mechanism provides infection control advantages.

FORTE 320 is the lifter of choice for institutional use where a high capacity bariatric lifter is required. **Refer to page 21 for accessories**



Specifications:

Product Code	2898
Base Length	1420 mm
External Base Width Closed	715 mm
External Base Width Open	1200 mm
Internal Base Width Closed	600 mm
Internal Base Width Open	1080 mm

Under Bed Clearance	111 mm
Minimum Yoke Height	245 mm
Maximum Yoke Height	1940 mm
Lifter Weight	63 kg
Minimum Storage Height	1445 mm
SWL	320 kg



Stael Alto MKII 200 with Powered Pivot Frame

A powered pivoting frame makes this hoist the perfect choice for lifting larger patients. With the push of a button repositioning and tilting the patient is safe and strain free. A medium sized heavy duty mobile patient lifting hoist with a safe working load of 200 kg and a compact ergonomic design. Alto™ Lifter, whilst being compact provides superior patient lift space through the use of SPACELINK™ technology.

The Alto™ Lifter is the lifter of choice for institutional use or home care where a high capacity lift is required. Electric leg adjustment is a standard feature. It utilises the new SPACELINK™ concept, a breakthrough for optimised patient space, that enhances floor lift capability and increases maximum lifting height. With maintenance free bushes in all the major moving parts this hoist is an Australian Made example of Quality and Strength that is hard to find in other hoists. Featuring the Linak Jumbo Care

advanced diagnostic control system, with the latest developments in data collection. This includes service indicator light, and with service data tool a service technician can view the history of the lifters usage including number of lifts, overloads and also program service intervals.

- Electric leg adjustment is a standard feature
- Battery life indicator on lifter as well as handset
- Additional up and down buttons on control box
- Emergency stop button
- Supplied complete with battery, battery charger and instruction manual

* Also available with integrated weigh scale (Product Code: 2897)

Refer to page 21 for accessories



Specifications:

Product Code	2892
Base Width Min	645 mm
Base Width Max	1130 mm
Lift Range - Pivot	325 - 1600 mm
Castor Size	100 mm
Under Bed Clearance	126 mm

Lifter Weight	42 kg
SWL	200 kg

Also Available:

Alto MKII 200 Powered Pivot Frame & Weigh Scale	
Product Code	2893



Staebel Sonata 150 Patient Hoist

A lightweight, compact mobile patient lifting hoist with innovative and ergonomic design the Sonata 150 is an easy to use everyday lifter. With a safe working load of 150 kg the Sonata offers an outstanding lift capacity in a small patient lifter. It utilises the SPACELINK™ concept, a breakthrough for optimised patient space, that enhances floor lift capability and increases maximum lifting height.

With maintenance free bushes in all the major moving parts this hoist is an Australian Made example of quality and strength that is hard to find in other patient lifters.

The Allegro range of patient lifting equipment including lifters and accessories has been designed and tested to comply with: AS ISO 10535-2002 Hoists for the transfer of disabled persons – Requirements and test methods.

- Manual leg adjustment is a standard feature.
- Supplied complete with battery, in-built battery charger and instruction manual.

Refer to page 21 for accessories



Specifications:

Product Code	2880
Base Length	1005 mm
External Base Width Closed	605 mm
External Base Width Open	1070 mm
Internal Base Width Closed	510 mm
Internal Base Width Open	975 mm
Base Width Adjustment	3 Position Manual
Under Bed Clearance	130 mm
Minimum Height of Yoke	420 mm
Maximum Height of Yoke	1735 mm
Hoisting Range*	870 mm

Minimum Storage Height	1260 mm
Under Base Height	55 mm
Maximum Hoist Reach	875 mm
Minimum Hoist Reach	555 mm
Hoist Reach at Maximum Height	555 mm
Mass of Heaviest Part (Mast Assembly)	22 kg
Lifter Weight	41 kg
SWL	150 kg

Also Available:

Sonata 150 Patient Lifter with Electric Leg Spreader

Product Code 2881



Staebel Salsa 200 Standing Lifter

Designed as an active standing aid allowing a single carer to raise a patient into a comfortable secure standing position. The Salsa 200 is ideal for transferring from bed to chair, or chair to commode. Allegro Concepts standing slings are manufactured to suit the Salsa, allowing superior access for dressing and personal hygiene.

With a small footprint and low overall weight, the Salsa 200 is highly manoeuvrable. A high capacity safe working load of 200kg means the Salsa is equally at home in an institutional or home environment.

Designed and tested to comply with: AS ISO 10535-2002 Hoists for the transfer of disabled persons – Requirements and test methods.

Refer to pg. 27 for Salsa Sling



Specifications:

Product Code	27700	Minimum Height Lift Arm	880 mm
Base Length	1010 mm	Maximum Height Lift Arm	1685 mm
External Base Width Closed	665 mm	Under Base Height	55 mm
External Base Width Open	1030 mm	Lifter Weight	51 kg
Internal Base Width Closed	565 mm	Minimum Storage Height	1190 mm
Internal Base Width Open	930 mm	Footplate	Removable
Base Width Adjustment	Electric	Kneepad	Height Adjustable
Under Bed Clearance	130 mm	SWL	200 kg



Featuring Linak Jumbo Care advanced diagnostic control system.



Staebel Neos 150 Folding Hoist

The NEOS 150 Folding is a compact ergonomic designed medium sized heavy duty mobile patient lifting hoist with a safe working load of 150kg. This lifter is ideally suited as a compact and lightweight hoist in a home care environment. The NEOS 150 Folding whilst being compact provides superior patient space. The NEOS 150 Folding in fact offers more patient space than most other larger size lifters. The swivel feature of the detachable yoke allows a patient to be rotated through 360° at full lift height, thus making the carer's job easier and safer.

- Folding Aluminium Lifter with a Safe Working Load (SWL) of 150kg
- Quick release folding structure enables lift to be conveniently folded for storage and transfer
- Electric raise and lower powered by Linak
- Foot pedal control for leg adjustment
- Equipped with 75mm front castors and 100mm locking rear castors
- Quick release yoke

Refer to page 21 for accessories



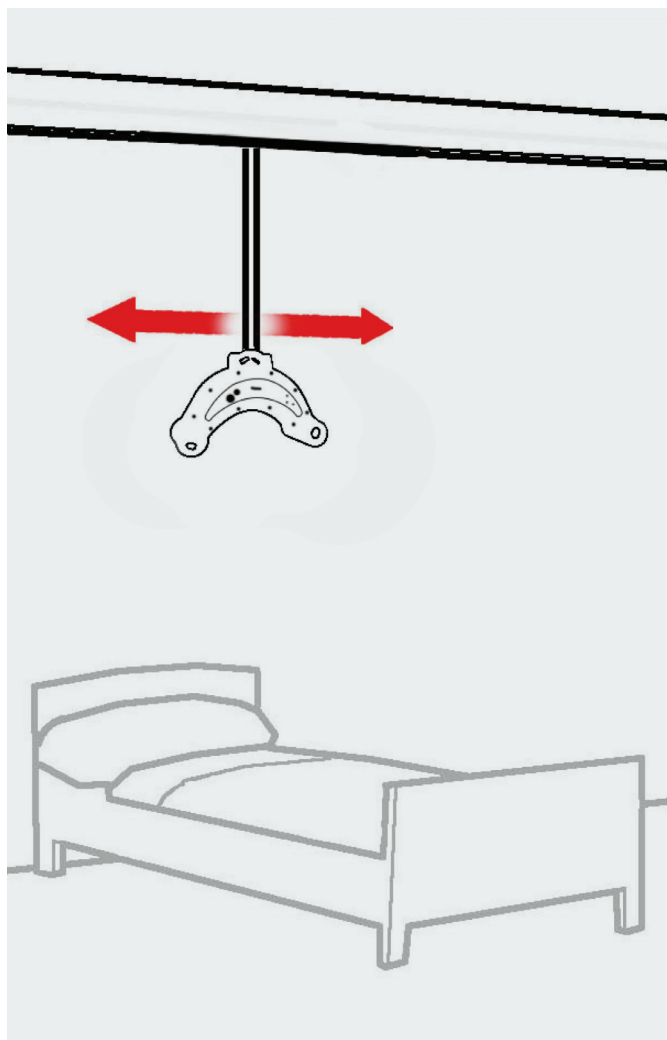
Specifications:

Product Code	2878	Lift Range - Yoke	410 - 1650 mm
Base Width Min	615 mm	Castor Size	75 / 100 mm
Base Width Max	965 mm	Under Bed Clearance	135 mm
Folded Overall Length	1230 mm	Lifter Weight	35 kg
Folded Overall Width	400 mm	SWL	150 kg

02.

Ceiling Hoists

SugarGlider Nomad Portable Ceiling Hoist	15
SugarGlider Monarch Portable Ceiling Hoist	16
SugarGlider Monarch Fixed Ceiling Hoist	16
SugarGlider Luna Portable Ceiling Hoist	17
SugarGlider Luna Fixed Ceiling Hoist	17
SugarGlider Transport Trolley	18
Flexi - Link Arm Reacher	18
Single Track Ceiling Hoist System	19
Case Studies	20



SugarGlider Nomad Portable Ceiling Hoist

The Nomad is a flexible and user friendly ceiling hoist. It is intuitive and easy to operate. The integrated handles make it truly portable. The curved shape is designed to afford user's head ample space while the integrated 4-point yoke gives ultimate safety, comfort and dignity during the lift and transfer. The user will feel, safe and stable without being squeezed.

The combination with a compatible sling ensures that the user will achieve a correct and comfortable sitting position. If rail installations through door openings are not possible, the Nomad can climb from room to room, i.e. from one rail system to another. The Nomad has an emergency lowering and an emergency stop, as well as a soft stop-start function to prevent abrupt movements.

- Lift speed 35 mm/s with soft start/stop function
- High battery performance (70+ lifts per charge)
- Easy overnight charge system
- Built in electronic lift counter
- Splash proof casing
- Lifting Height 2m



Specifications:

Product Code	7324
Length	520 mm
Width	198 mm
Height	330 mm
Lift Range (Length of Lift Strap)	1980 mm
Lifter Weight	6.8 kg
SWL	230 kg

Also Available:

Product Code	7325
Length	520 mm
Width	198 mm
Height	330 mm
Lift Range (Length of Lift Strap)	1980 mm
Lifter Weight	6.8 kg
SWL	255 kg



SugarGlider Monarch Portable Ceiling Hoist

The Monarch Portable Ceiling Hoist is one of the lightest on the market weighing only 5kg, whilst lifting the industry standard of 200kg. Ideal for occasional or multiple room use, the product is robust and charges with an AC Charger.

- Weight: 5KG
- Lifts per Charge: 30 to 40 cycles
- Track Options: H system, Turntable, Gate, Curves, Room-to-Room, Freestanding Gantry: 2m, 3m, 4.5m, 6m, 8m
- Track Compatibility: Compatible with all Monarch tracks



Specifications:

Product Code	272358000
Length	550 mm
Width	140 mm
Lifts per Charge	30 - 40 Cycles
Total Weight	4.8 kg
SWL	200 kg



SugarGlider Monarch Fixed Ceiling Hoist

The Monarch Fixed Ceiling Hoist is a complementary product to other products for individuals with mobility challenges. It is designed for use by caregivers and health professionals to lift and transfer a person in homecare, assisted-living or hospital environment.

- Unique Spreader Bar with Secure Sling Mechanism
- Fast - lifts up to 30% more quickly than other models
- Low lift clearance - slim profile means more room to manoeuvre patient
- Li-ion battery - recharges twice as fast as average competitor products
- Ultra lightweight - Weighing 8kg 35% lighter than competitors
- 200kg safe working load
- Ideal for Nursing Homes, Hospitals or Domestic Use



Specifications:

Product Code	272358001
Length	640 mm
Width	300 mm
Lifts per Charge	30 - 40 Cycles
Total Weight	7.58 kg
SWL	200 kg

Also Available:

Sugarglider Monarch Fixed Ceiling Hoist, 270kg SWL

Product Code	2074803
---------------------	---------



SugarGlider Luna Portable Ceiling Hoist

When combined with the E-track, the Luna powered ceiling hoist creates a versatile overhead lifting solution suitable for any room or lifting need.

The Luna overhead tracking hoist is unique in making a track hoist into a flexible technical aid. Luna can be mounted in different positions on the track and may be changed at will to suit varying care needs. The Luna track unit can also be adapted to suit existing tracks so that total replacement is not necessary.

- Soft start and stop motor control
- Electrical emergency lowering
- Electrical emergency stop
- Low battery indicator (visual LED)
- Charging indicators
- Power on indicators
- Overload protection
- Emergency brake system



Specifications:

Product Code	272333996
Length	320 mm
Width	130 mm
Length of Lifting Strap	2200 mm
Total Weight	6.7 kg
SWL	275 kg



SugarGlider Luna Fixed Ceiling Hoist

The Luna overhead tracking hoist is unique in making a track hoist into a flexible technical aid. Luna can be mounted in different positions on the track and may be changed at will to suit varying care needs.

The Luna track unit can also be adapted to suit existing tracks so that total replacement is not necessary. Luna can be described as a fixed and portable ceiling hoist in one and the same unit, a truly unique feature. Changing Luna from fixed to portable mode, and vice versa, can be done within seconds by simply detaching and reattaching the unit to the track. No tools are needed.

This unique two-in-one feature makes Luna the preferred ceiling hoist for care facilities as it provides a flexibility of choice, allowing the final decision of either fixed or portable unit to be made at a later point.

- Soft start and stop motor control
- Electrical emergency lowering
- Electrical emergency stop
- Low battery indicator (visual LED)
- Charging indicators
- Power on indicators
- Overload protection
- Emergency brake system



Specifications:

Product Code	272333997
Length	320 mm
Width	130 mm
Length of Lifting Strap	2200 mm
Total Weight	6.7 kg
SWL	200 kg



SugarGlider Transport Trolley

The SugarGlider Transport Trolley makes it a simple task to transport the portable ceiling hoist unit, reach stick and slings from one location to another.

- Two large shelves
- Features a unique column to store reach stick
- Four high quality swivel castors for ease of manoeuvrability
- Robust, heavy duty design favoured by many aged care facilities

Specifications:

Product Code	7426
Overall Width	435 mm
Overall Depth	575 mm
Shelf Depth	100 mm
Overall Height	950 mm



Flexi - Link Arm Reacher

Efficient, safe and simple to operate. Our patented Flexi-Link connection system is today's most advanced device for connecting the portable lift to the trolley. Its removable wand allows carers to move around freely as there are no handles in place and travel of the hoist is not impeded by lights, fans or doors.

Specifications:

Product Code	7422FL
Length	600 mm

Also Available:

Product Code	7423FL
Length	900 mm

What is a ceiling hoist?

Ceiling Hoists are designed to assist with the manual handling of residents & patients. They're here to help reduce the risk of injury to carers, nurses and doctors. A ceiling hoist is an overhead hoisting system which can either be hung from the ceiling itself or hung from wall to wall. They are an effective alternative to a floorline hoist and are widely used in home care environments.

Build your Ceiling Hoist System



Choose
Transfer Type

Bed to Chair

Bed to Bathroom

Bed to complete house

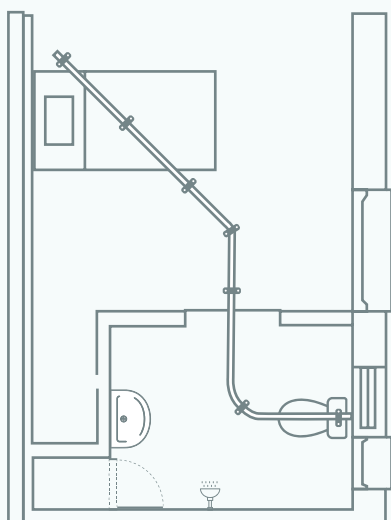
Full room access to bathroom

Bariatric System

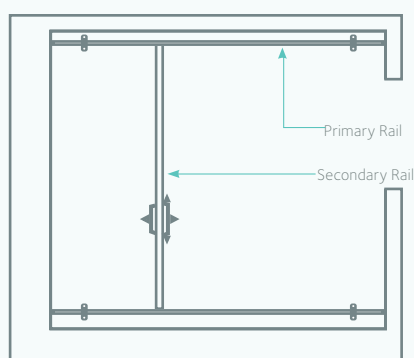
Access to other rooms

Choose Tracking System

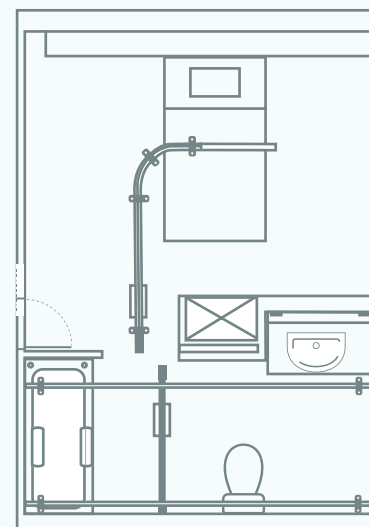
Basic Rail Systems



Full Room Coverage System - XY Traverse



Fully Integrated Rail System



Weight Limit
(SWL)

200 kg

270 kg

350 kg

450 kg +



Choose Motor
Style

Portable Hoist

Fixed Powered Traverse

Fixed Manual Traverse

Powered XY Motor



Rail Options

Ceiling Mount

Wall Mount

Freestanding

Ceiling Hoist Case Studies

XY system (H System) with Fixed Motor.



XY transitio system nshowing door cutout.



Curved single track transitioned from XY.



Straight track with power traverse motor.



XY system to transition gate showing door cutout.



Straight track with portable motor.



Single Gantry System with Fixed Motor.



Curved single track and straight track with in rail trolley.



Could not find the information you were after?

Contact our team for a consultation for more hoist options!

03.

Accessories

Plastic Leg Protector	22	Staebel Bariatric 4 Point Yoke	23
Weighing Device	22	Staebel Bariatric 4 Point Yoke with Weigh Scales	23
Staebel Salsa Handle Kit	22	Staebel Hi-Lift Pivot Frame	24
Sling Bag	22	Staebel Powered Pivot Frame with Weigh Scales	24
Quick Release Adapter	22	Staebel Powered Pivot Frame	24
Staebel Pivot Frame with Weigh Scales	22	Staebel Standard Yoke with Weigh Scales	24
Staebel Standard Yoke	23	Staebel Lifting Frame with Gliders	24
Staebel Tri Hook Yoke	23	Staebel Strap Kit for Lifting Frame & Yoke	24
Staebel Four Point Yoke	23		
Staebel Pivot Frame	23		



Plastic Leg Protector

For Alto MKII 2000 Passive Hoist.

- Sold as each
- Secure press fit plastic protectors to minimise leg damage
- Easy clean option

Specifications:

Product Code 28803



Sling Bag

- Sling carry pouch, is effective for infection control where individual patient slings can be kept separate or for storage.
- Made from heavy duty green vinyl
- One size fits all sling sizes.

Specifications:

Product Code 28804



Weighing Device

Weighing device designed to integrate with the Allegro Sonata and Allegro Alto.

Safe Weight Limit is 300kg.

Specifications:

Product Code 2889



Quick Release Adapter

A unique shaped calf strap for use with the Allegro Salsa200 this has keyhole attachments and is made from neoprene for optimal comfort.

Specifications:

Product Code 27QRA01



Staebel Salsa Handle Kit

- Salsa Handle Kit to aid in increased patient security whilst lift is in motion
- Suitable for the Salsa Standing Lifter
- Optional Extra

Specifications:

Product Code 27THK01



Staebel Pivot Frame with Weigh Scales

This is a universal weighing module that is useful for patients requiring constant monitoring of weight for general wellbeing. Weighing scale Safe Weight Limit 320kg. It is suitable for yoke or pivot attachment is useful where weighing of patients is difficult due to the level of support required.

Specifications:

Product Code 2895



Stael Standard Yoke

For Alto MKII 2000 Passive Hoist.

- Sold as each
- Secure press fit plastic protectors to minimise leg damage
- Easy clean option



Stael Tri Hook Yoke

These three heavy duty hoists are available with a choice of 6 different sling attachment options. Achieve quality patient transfers by selecting the fitting which best suits your client or healthcare facility.

- Can be used with general purpose (loop attachment) slings



Stael Four Point Yoke

- Salsa Handle Kit to aid in increased patient security whilst lift is in motion
- Suitable for the Salsa Standing Lifter
- Optional Extra

Specifications:

Product Code 2882

Specifications:

Product Code 2883

Specifications:

Product Code 2886



Stael Pivot Frame

The pivot frame is used with the pivot sling. The frame spreads the sling attachment points to ensure the patients hips are not flexed excessively, avoiding discomfort some patients experience with standard slings. The ability to position a person in a sitting or lying position, assisting in providing correct seating and positioning.



Stael Bariatric 4 Point Yoke

Allegro Patient Lifter Option - Bariatric 4-point Yoke spreader bar to suit Forte 320. Optimum patient space for larger patients.



Stael Bariatric 4 Point Yoke with Weigh Scales

Allegro Patient Lifter Option - Bariatric 4-point Yoke spreader bar with integrated weighing device and cover to suit Forte 320.

Specifications:

Product Code 2884

Specifications:

Product Code 2873

Specifications:

Product Code 2899



Stael Hi - Lift Pivot Frame

- 2 sling attachment points at extremity of slightly curved yoke bar
- Can be used with general purpose (loop attachment) slings
- Padded vinyl cover with velcro closure



Stael Pivot Frame with Weigh Scale - Self Powered

The Self Power Pivot Frame is designed for self-powered patient positioning with no power required from the hoist. The integrated weigh scale is useful where weighing of patients is difficult due to level of support required.



Stael Pivot Frame - Self Powered

The Self Power Pivot Frame is designed for self-powered patient positioning with no power required from the hoist. The integrated weigh scale is useful where weighing of patients is difficult due to level of support required. The integrated weigh scale is useful where weighing of patients is difficult due to level of support required. SWL 320kg

Specifications:

Product Code 2885



Stael Standard Yoke with Weigh Scales

Complete as one attachment, this allows for standard lifting without losing any critical lift height with separate attachment. Weighing scale Safe Weight Limit 300kg.

- Suitable for allegro Sonata & Alto Hoists.

Specifications:

Product Code 2884-2



Stael Lifting Frame with Gliders

The Lifting Frame is an essential piece of equipment for the safe lifting and handling of patients requiring spinal or orthopaedic immobility. The specialised frame made from a durable metal comes complete with 12 removable nylon gliders and can be dismantled for ease of storage. Strap kit sold separately. *Pictured being utilised with 4-point yoke. SWL 200kg.

Specifications:

Product Code 2884 - 1



Stael Strap Kit for Lifting Frame & Yoke

The floor lift strap kit is an excellent accessory for lifting a person on a lifting frame from off the floor. The floor lift strap kit is an excellent accessory for lifting a person on a lifting frame from off the floor.

Specifications:

Product Code 2894

Specifications:

Product Code 227201

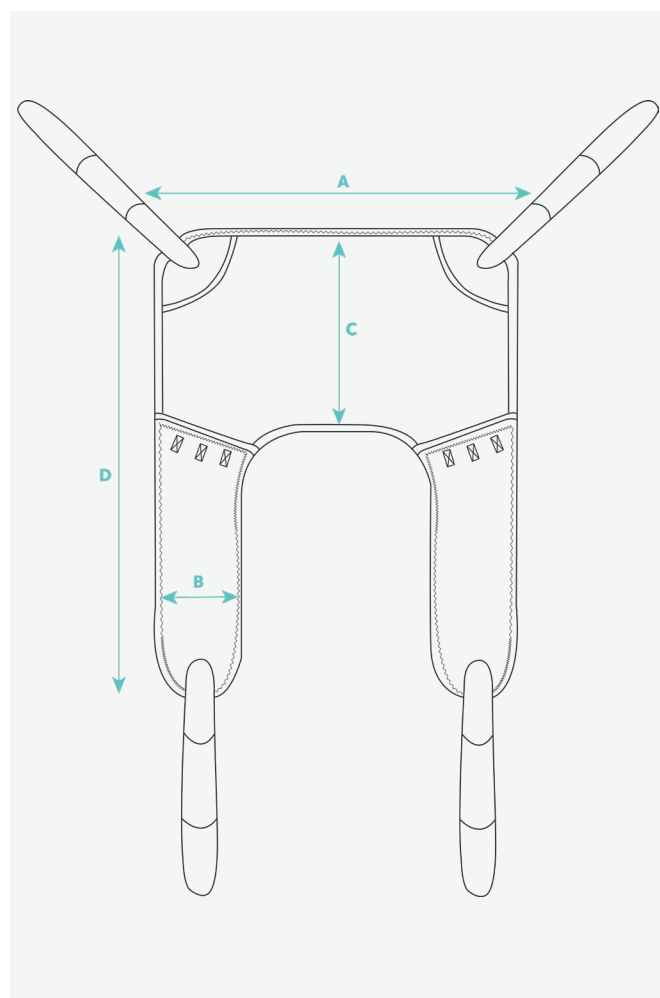
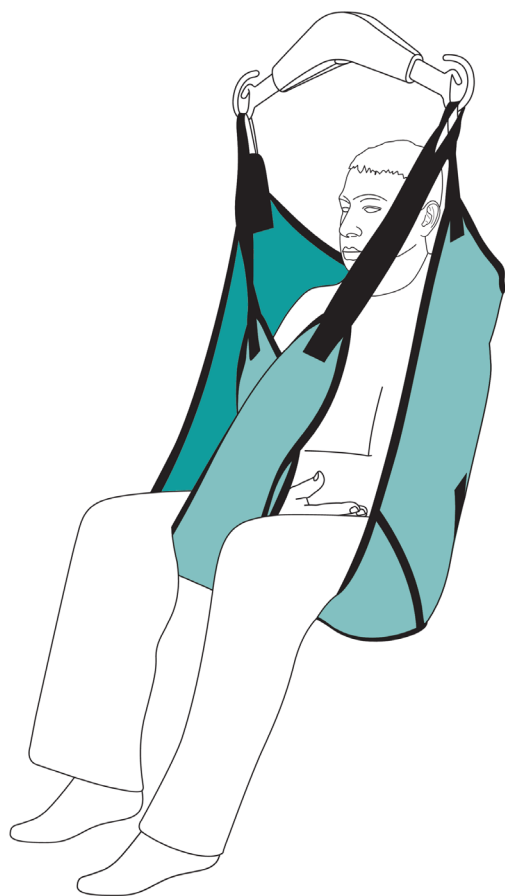
Specifications:

Product Code 27397

04.

Slings

Staebel General Purpose Sling	26
Staebel Salsa Standing Sling	27
Staebel Pivot Sling	28
Staebel General Purpose Sling with Head Support	29
Staebel Universal Deluxe Sling with Head Support	30



Staebel General Purpose Sling

The General Purpose sling is a standard sling providing good support for those with some upper body control. Suitable for general lifting for patient lifters with a yoke style attachment, and available in sizes from X-small

to XX-large. Also with the option of fabric or mesh construction, this is a versatile sling that is simple and safe to use.



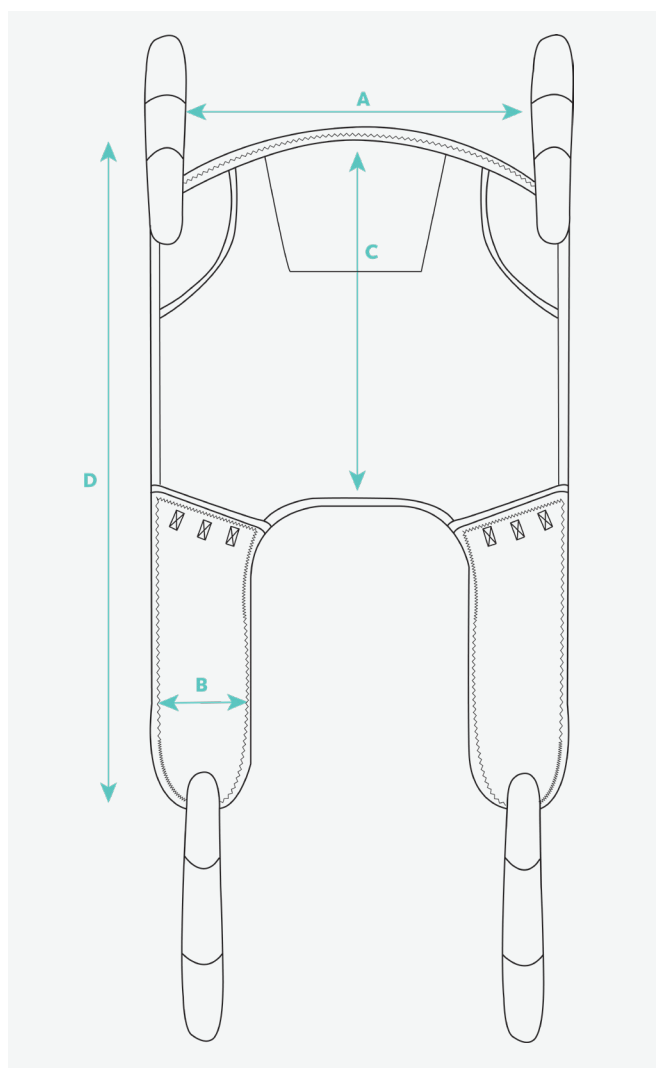
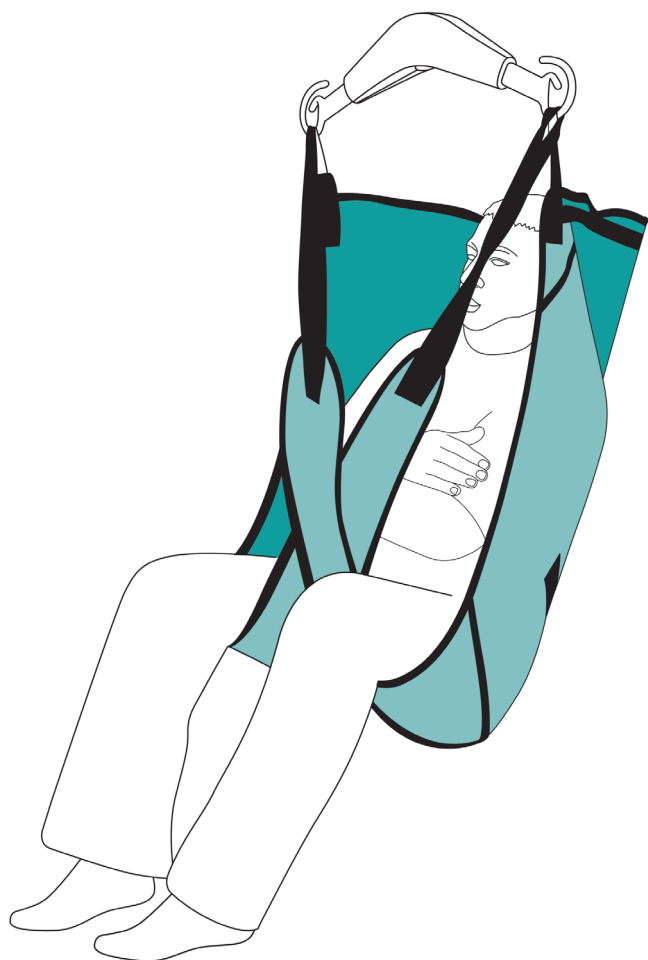
Specifications:

Mesh

Product Code	27GP02XS	27GP02S	27GP02M	27GP02L	27GP02XL	27GP02XXL
Size	Extra Small	Small	Medium	Large	Extra Large	Extra Extra Large
A	790 mm	790 mm	890 mm	1110 mm	1270 mm	1400 mm
B	210 mm	230 mm	240 mm	260 mm	270 mm	290 mm
C	470 mm	460 mm	530 mm	650 mm	730 mm	750 mm
D	1120 mm	1130 mm	1190 mm	1390 mm	1520 mm	1590 mm

Fabric

Product Code	27GP01XS	27GP01S	27GP01M	27GP01L	27GP01XL	27GP01XXL
Size	Extra Small	Small	Medium	Large	Extra Large	Extra Extra Large
A	790 mm	790 mm	890 mm	1110 mm	1270 mm	1400 mm
B	210 mm	230 mm	240 mm	260 mm	270 mm	290 mm
C	470 mm	460 mm	530 mm	650 mm	730 mm	750 mm
D	1120 mm	1130 mm	1190 mm	1390 mm	1520 mm	1590 mm



Staelbel General Purpose Sling with Head Support

The General Purpose Head Support sling, as the name suggests, is a full body support style sling and is recommended for general lifting and in situations of lifting from the floor, and for the less secure patient. The loop style attachments have three lengths at each connection point and are used on

a patient lifter with a yoke style attachment. Available in sizes from x-small through to XX-large, providing a popular choice for individuals and care facilities. Slings are manufactured from polyester fabric or mesh (suitable for bathing).



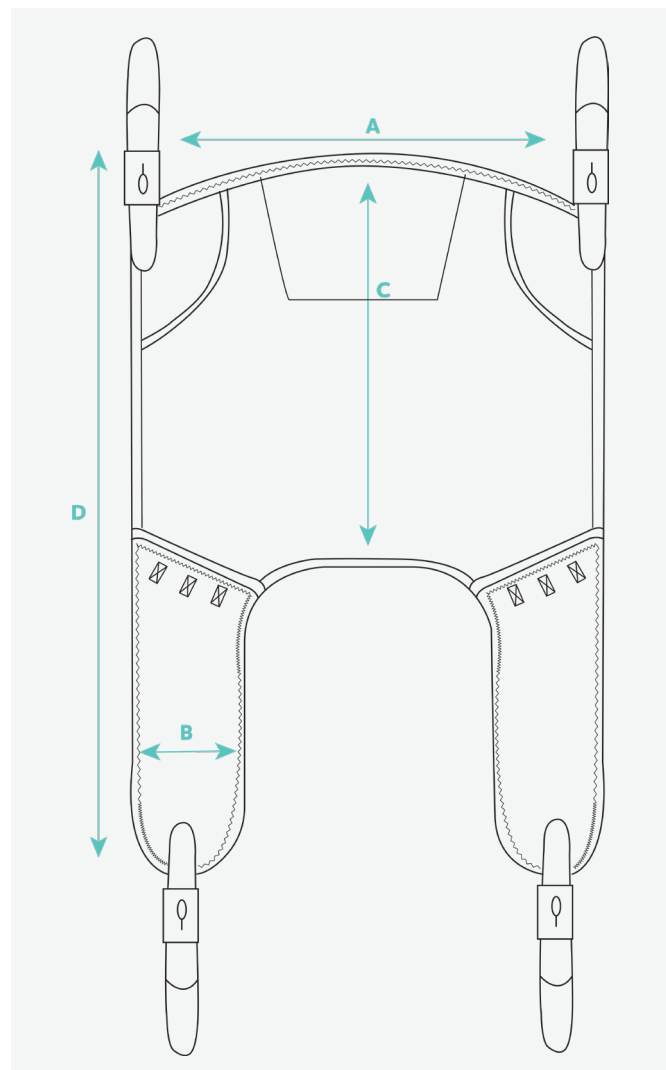
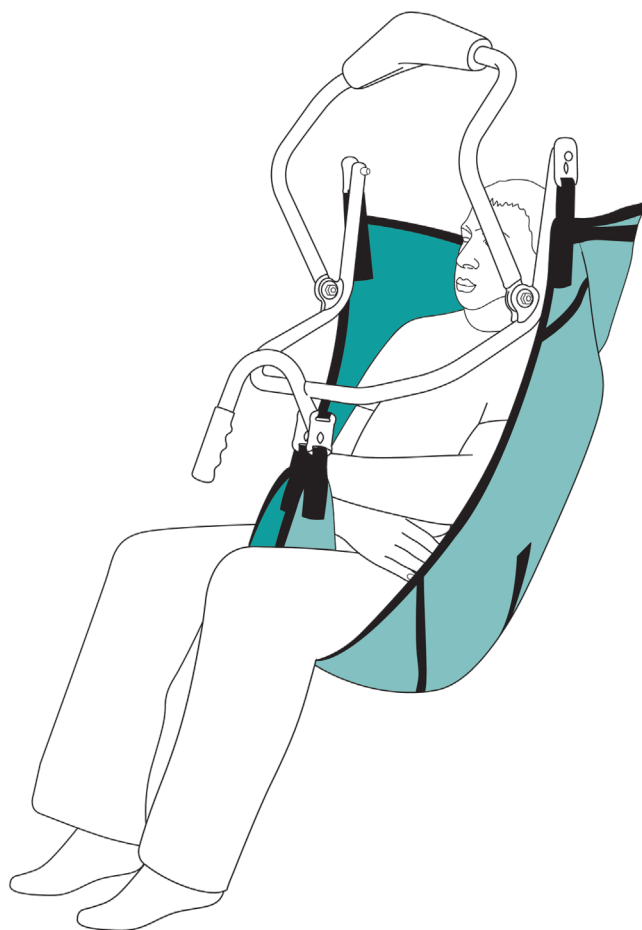
Specifications:

Mesh

Product Code	27GPHS02XS	27GPHS02S	27GPHS02M	27GPHS02L	27GPHS02XL	27GPHS02XXL
Size	Extra Small	Small	Medium	Large	Extra Large	Extra Extra Large
A	820 mm	790 mm	920 mm	1110 mm	1270 mm	1360 mm
B	210 mm	230 mm	240 mm	260 mm	270 mm	290 mm
C	750 mm	780 mm	920 mm	1000 mm	1020 mm	1050 mm
D	1310 mm	1280 mm	1410 mm	1630 mm	1680 mm	1780 mm

Fabric

Product Code	27GPHS01XS	27GPHS01S	27GPHS01M	27GPHS01L	27GPHS01XL	27GPHS01XXL
Size	Extra Small	Small	Medium	Large	Extra Large	Extra Extra Large
A	820 mm	790 mm	920 mm	1110 mm	1270 mm	1360 mm
B	210 mm	230 mm	240 mm	260 mm	270 mm	290 mm
C	750 mm	780 mm	920 mm	1000 mm	1020 mm	1050 mm
D	1310 mm	1280 mm	1410 mm	1630 mm	1680 mm	1780 mm



Staebel Pivot Sling

The Pivot sling is designed for use with the pivot/tilt frame. It attaches with the keyhole tags engineered to the highest standards in strength and size tolerances and feature auto clip on action (no safety straps required). It

also features sling centre marking and positioning handles to assist correct positioning and woven label that will not wash out or fade.

***Available in Allegro Mesh and Fabric**



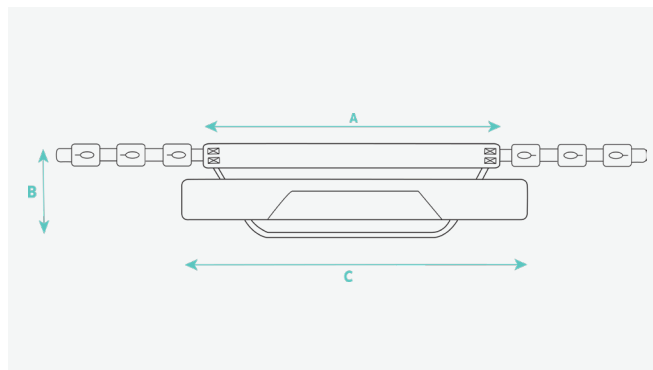
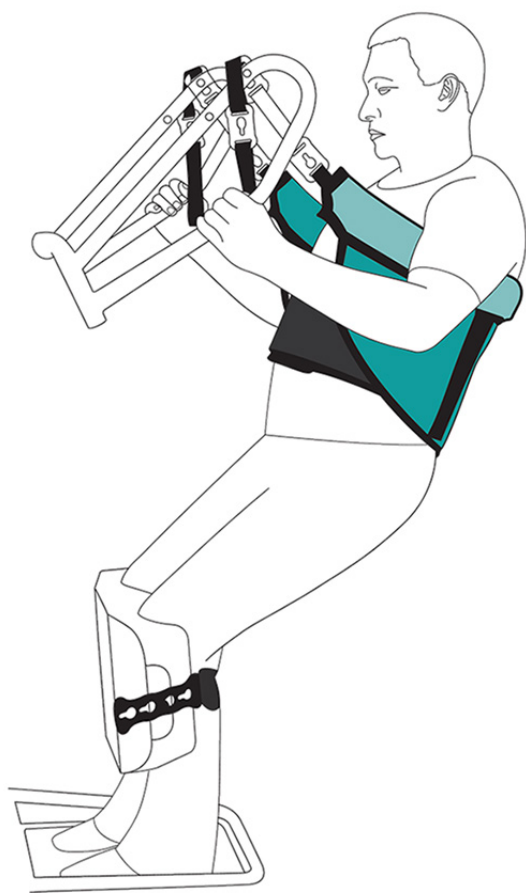
Specifications:

Mesh

Product Code	27P02XS	27P02S	27P02M	27P02L	27P02XL	27P02XXL
Size	Extra Small	Small	Medium	Large	Extra Large	Extra Extra Large
A	720 mm	870 mm	1000 mm	1080 mm	1170 mm	1320 mm
B	190 mm	230 mm	270 mm	260 mm	270 mm	290 mm
C	580 mm	830 mm	920 mm	1010 mm	1090 mm	1180 mm
D	870 mm	1220 mm	1310 mm	1410 mm	1540 mm	1710 mm

Fabric

Product Code	27P01XS	27P01S	27P01M	27P01L	27P01XL	27P01XXL
Size	Extra Small	Small	Medium	Large	Extra Large	Extra Extra Large
A	720 mm	870 mm	1000 mm	1080 mm	1170 mm	1320 mm
B	190 mm	230 mm	270 mm	260 mm	270 mm	290 mm
C	580 mm	830 mm	920 mm	1010 mm	1090 mm	1180 mm
D	870 mm	1220 mm	1310 mm	1410 mm	1540 mm	1710 mm



Staebel Salsa Standing Sling

The Salsa sling is for use with the Salsa stand up hoist. It features optimum back support and under arm padding for a safe and comfortable lift and also allows for the easy removal of clothing for toilet transfers.

The Allegro Salsa sling features a torso band for security and stability with Buckle (b) or Velcro v(v) fastening.



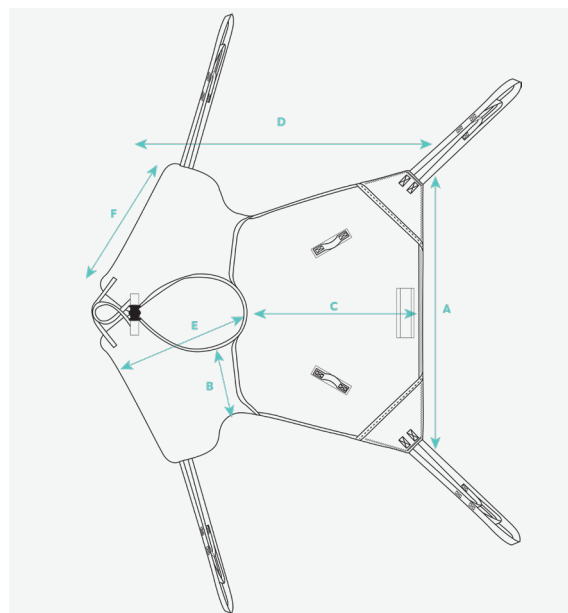
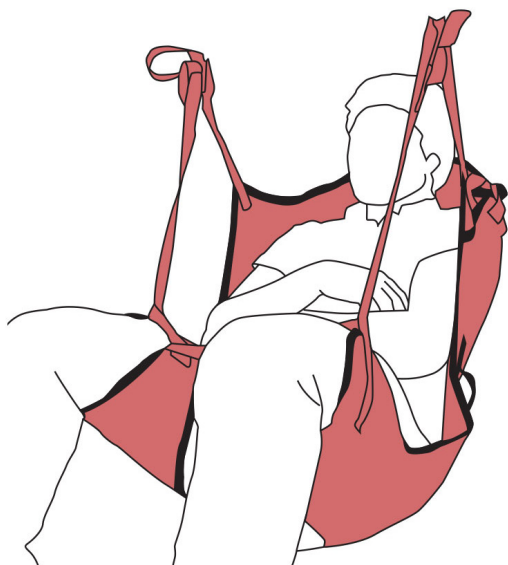
Specifications:

Buckle Fastening

Product Code	27701	27702	27703	27704
Size	Small	Medium	Large	Extra Large
A	730 mm	880 mm	1060 mm	1220 mm
B	260 mm	290 mm	370 mm	410 mm
C (b)	900 mm	960 mm	1020 mm	1220 mm
C (v)	1140 mm	1180 mm	1320 mm	1440 mm

Velcro Fastening

Product Code	27705	27706	27707
Size	Medium	Large	Extra Large
A	880 mm	1060 mm	1220 mm
B	290 mm	370 mm	410 mm
C (b)	960 mm	1020 mm	1220 mm
C (v)	1180 mm	1320 mm	1440 mm



Staebel Universal Deluxe Sling with Head Support

This sling is good for all standard transfers and is exceptionally comfortable for the patient. The leg sections are shaped to provide good support to the hip and thigh areas. It is designed to hold the leg more securely than standard sling leg sections, as the leg is held from both sides instead of just the inside of the leg. The leg sections also spread the load over a larger area on the patient's legs so tend to reduce the pressure on the underside of the legs.



Specifications:

Mesh

Product Code	227430	227431	227432	227433	227434
Size	Extra Small	Small	Medium	Large	Extra Large
A	715 mm	800 mm	900 mm	1000 mm	1105 mm
B	160 mm	185 mm	210 mm	235 mm	260 mm
C	685 mm	815 mm	945 mm	1075 mm	1205 mm
D	1000 mm	1175 mm	1355 mm	1535 mm	1710 mm
E	295 mm	340 mm	385 mm	430 mm	475 mm
F	375 mm	440 mm	500 mm	560 mm	625 mm

Parasilk

Product Code	227440	227441	227442	227443	227444
Size	Extra Small	Small	Medium	Large	Extra Large
A	715 mm	800 mm	900 mm	1000 mm	1105 mm
B	160 mm	185 mm	210 mm	235 mm	260 mm
C	685 mm	815 mm	945 mm	1075 mm	1205 mm
D	1000 mm	1175 mm	1355 mm	1535 mm	1710 mm
E	295 mm	340 mm	385 mm	430 mm	475 mm
F	375 mm	440 mm	500 mm	560 mm	625 mm

Fabric

Product Code	227435	227436	227437	227438	227439
Size	Extra Small	Small	Medium	Large	Extra Large
A	715 mm	800 mm	900 mm	1000 mm	1105 mm
B	160 mm	185 mm	210 mm	235 mm	260 mm
C	685 mm	815 mm	945 mm	1075 mm	1205 mm
D	1000 mm	1175 mm	1355 mm	1535 mm	1710 mm
E	295 mm	340 mm	385 mm	430 mm	475 mm
F	375 mm	440 mm	500 mm	560 mm	625 mm

05.

Spare Parts

Sonata Control Box	32	Allegro Handset Hook	34
Alto/Forte Control Box	32	Curly Mains Cable	34
Salsa Control Box	32	Replacement calf Strap	34
Control Box Alto Power Pivot	32	LA44 Motor Cable	34
Handset for Sonata - New Style - 2 Button	32	Power Pivot Frame Y Cable Connector	34
Handset for Alto/Salsa - New Style - 4 Button	32	Nomad Handset	35
Battery Charger Complete	33	Nomad Battery 26.4V	35
Handset for Alto 6 Button	33	Nomad Charger	35
Battery Pack Sonata/Alto/Salsa	33	Battery Pack Forte 4.5AH	35
Battery Charger Only	33	LA44 350mm Main Actuator	35
Castor 100mm	33	LA44 300mm Actuator New Style	35
Castor 100mm Braking	33	LA28 60mm Leg Actuator	35
Flexi - Link Head Only	34	LA23 100mm Power Pivot Frame Actuator	35



Sonata Control Box

Control box to suit Sonata, single channel, with inbuilt charger.



Alto / Forte Control Box

Allegro Patient Lifter - Replacement Control box, 2 channel, LCD, new style, to suit Alto Lifter.



Salsa Control Box

Allegro Patient Lifter - Replacement Control box, 2 channel, LCD, new style, to suit Salsa Lifter.

Specifications:

Product Code 27400042



Control Box Alto Power Pivot

Allegro Patient Lifter - Replacement Control box, to suit Alto with power pivot.

Specifications:

Product Code 27400004F



Handset for Sonata - New Style - 2 Button

Replacement Handset to suit Sonata Patient lifter, 2 button.

Specifications:

Product Code 27400004S



Handset for Alto/Salsa - New Style - 4 Button

Allegro Patient Lifter - Replacement Handset, new style, 4 button, to suit Alto & Salsa.

Specifications:

Product Code 27400045

Specifications:

Product Code 27400039

Specifications:

Product Code 27400040



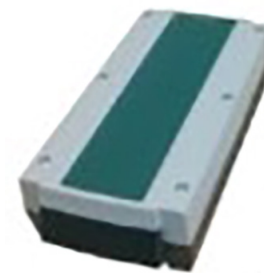
Battery Charger Complete

Allegro Patient Lifter - Replacement Battery charger complete with docking station and cord, to suit Alto & Salsa.



Handset for Alto 6 Button

Allegro Patient Lifter - Replacement Handset, 6-Button handset to suit Alto with powered pivot.



Battery Pack Sonata/ Alto/Salsa

Replacement battery to suit Battery to suit Sonata/Alto/Salsa.

Specifications:

Product Code 27400016



Battery Charger Only

Allegro Patient Lifter - Replacement battery charger only, to suit Alto & Salsa.

Specifications:

Product Code 27400099



Castor 100mm

Allegro Part - Replacement castor 100mm. See 27100163 for braking castor.

Specifications:

Product Code 27400007



Braking Castor 100mm

Allegro Part - Replacement braking castor 100mm.

Specifications:

Product Code 27400006

Specifications:

Product Code 27100162

Specifications:

Product Code 27100163



Flexi - Link Head Only

Flexi - Link Head section only.

Specifications:

Product Code 7422FLH



Allegro Handset Hook

Allegro Patient Lifter - Replacement Handset Hook only, each.

Specifications:

Product Code 27400056



Curly Mains Cable

Replacement Curly mains cable with Australian plug.

Specifications:

Product Code 27400012



Replacement Calf Strap

A uniquely shaped calf strap for use with the Allegro Salsa200 this has keyhole attachments and is made from neoprene for optimal comfort.

Specifications:

Product Code 2720026



LA44 Motor Cable

Allegro Patient Lifter - Replacement LA44 motor cable.

Specifications:

Product Code 27400038

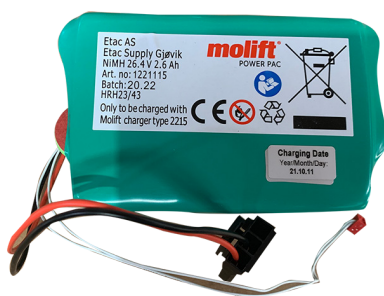


Power Pivot Frame Y Cable Connector

Allegro Patient Lifter - Replacement Y Cable Connector to suit Power Pivot Frame.

Specifications:

Product Code 27400048



Nomad Handset

Ceiling Hoist Accessory/Part - Replacement Hand control to suit Nomad complete with cord, grey.

Nomad Battery 26.4V

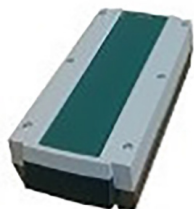
Replacement battery to suit Nomad.

Nomad Charger

Ceiling Hoist Accessory/ Part - Replacement Charger to suit Nomad.

Specifications:

Product Code 7307



Specifications:

Product Code 1220115



Specifications:

Product Code 7306



Battery Pack Forte 4.5AH

Replacement Battery to suit Forte Patient Hoist.

LA44 350mm Main Actuator

Allegro Patient Lifter - Replacement LA44 350mm main actuator, to suit Alto Lifter.

LA44 300mm Actuator New Style

Allegro Patient Lifter - Replacement LA44 300mm main actuator, to suit Salsa Lifter..

Specifications:

Product Code 27440006



LA28 60mm Leg Actuator

Allegro Patient Lifter - Replacement 60mm LA28 leg actuator to suit Alto & Salsa Lifters.

Specifications:

Product Code 27400035



LA23 100mm Power Pivot Frame Actuator

Allegro Patient Lifter - Replacement 100mm LA23 Power Pivot Frame Actuator.

Specifications:

Product Code 2740001

Specifications:

Product Code 27400003

Specifications:

Product Code 27400049

Lined writing area with 22 horizontal lines.

We are
Here to Help



Let's have a chat!

If you see something you like, you can book in your consultancy with one of our friendly team members. See below information for ways you can get in contact...

1800 267 267 | www.activemedicalsupplies.com.au | hello@activemedicalsupplies.com.au

activeMEDICAL
SUPPLIES > SOLUTIONS > SUPPORT

P. 1800 267 267 | **F.** 07 3899 8825
E. hello@activemedicalsupplies.com.au

www.activemedicalsupplies.com.au